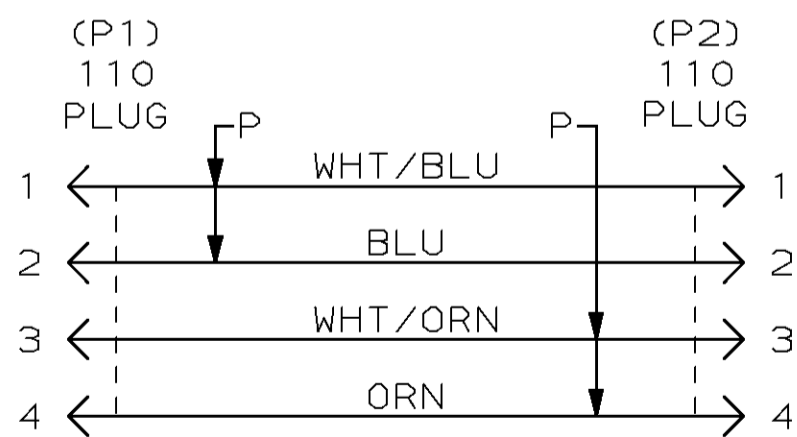
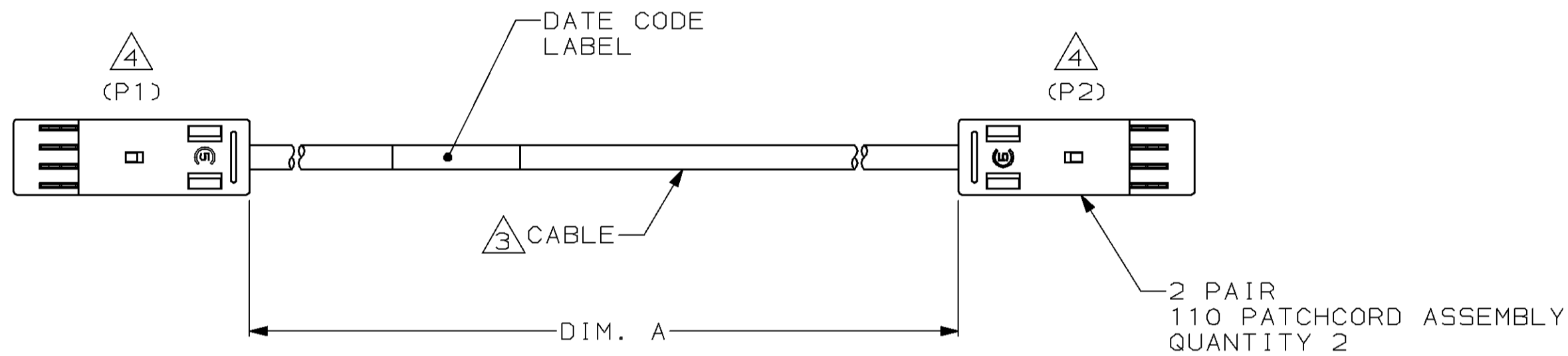


THIS DRAWING IS UNPUBLISHED. RELEASED FOR PUBLICATION, 19
 © COPYRIGHT 19 BY AMP INCORPORATED. ALL RIGHTS RESERVED.

LOC	DIST	REVISIONS			
P	LTR	DESCRIPTION	DATE	DWN	APVD
AA	28	0	RLSD; NPR C96-40	06MAR96	DLD NJ

1. ONE CABLE PACKAGED IN A CLEAR POLY BAG.
2. DIMENSIONS ARE MAXIMUM UNLESS OTHERWISE SPECIFIED.
3. CABLE: UNSHIELDED 24 AWG, 2 TWISTED PAIRS, 7/32 STRANDED CONDUCTORS, 100 OHMS, CATEGORY 5.
4. DESIGNATIONS IN PARENTHESES () ARE FOR REFERENCE ONLY.



WIRING DIAGRAM

3.05	10	3149.6 [124.00]	1-569920-0
2.44	8	2489.2 [98.00]	569920-8
1.83	6	1879.6 [74.00]	569920-6
1.22	4	1270 [50.00]	569920-4
0.61	2	660.4 [26.00]	569920-2
METERS, REF	FEET, REF	DIM. A	PART NO.

DIMENSIONS:		TOLERANCES UNLESS OTHERWISE SPECIFIED:		DWN DL DRUMMOND 06 MAR 96		AMP Incorporated	
mm	[INCHES]	0 PLC	±-	CHK N. JONES 02 APR 96	Harrisburg, PA 17105-3608		
		1 PLC	±-	APVD B. ANTHONY 02 APR 96	NAME		
		2 PLC	±-	PRODUCT SPEC	PATCHCORD ASSEMBLY, WITHOUT LOGO, 2 PAIR, 110/110		
		3 PLC	±-	APPLICATION SPEC	SIZE	CAGE CODE	DRAWING NO
		4 PLC	±-	WEIGHT	A2	00779	C-569920
		ANGLES	±-	CUSTOMER DRAWING	SCALE	SHEET	REV
		FINISH	-		1:1	1 OF 1	0

569920